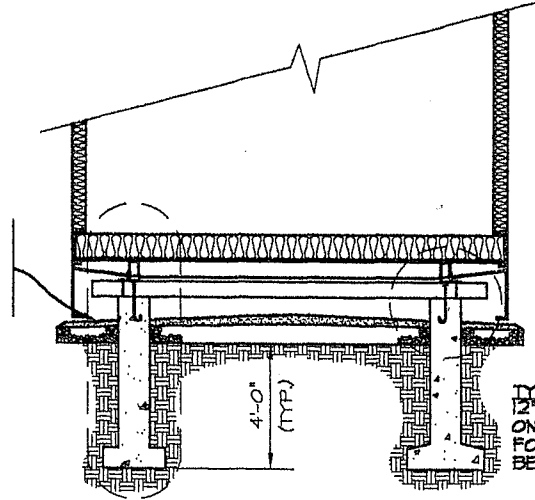


# REQUIRED MOBILE HOME FOUNDATION

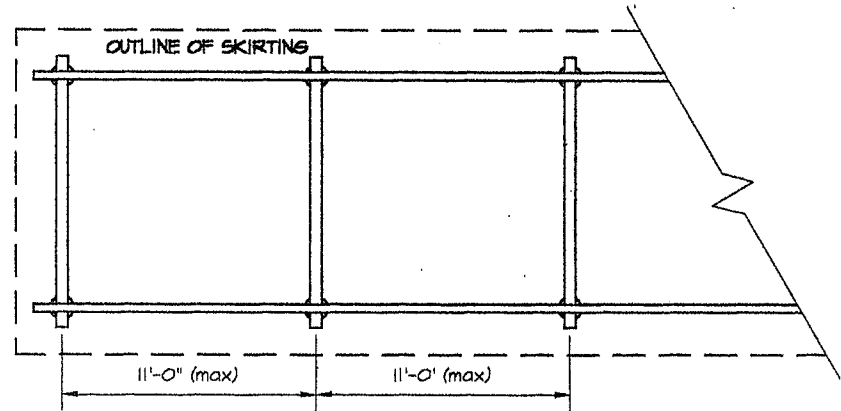
**SITE PREPARATION:**  
 MIN. 2% SLOPE  
 MIN. 2" SAND  
 6 mil POLY  
 MIN 6" GRAVEL

**TYPE 1:**  
 12"Ø CONCRETE PIER  
 ON MIN. 24"x24"x8"  
 CONCRETE FOOTING  
 4'-0" BELOW GRADE

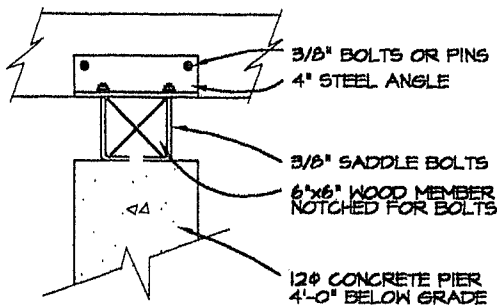


**TYPICAL SECTION**  
 SCALE: 1/4"=1'-0"

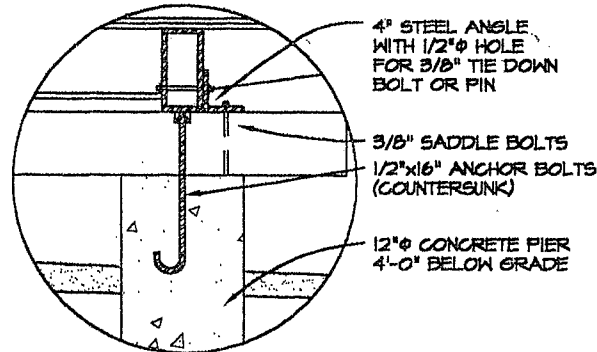
**TYPE 2:**  
 12"Ø CONCRETE PIER  
 ON MIN. 30" BELLED  
 FOOTING 4'-0"  
 BELOW GRADE



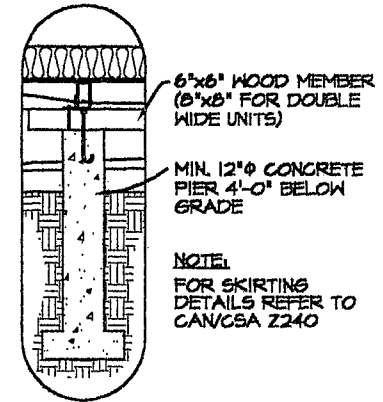
**FOOTING PLAN**  
 SCALE: 3/16"=1'-0"



**TIE DOWN DETAIL**  
 SCALE: 1"=1'-0"



**ANCHOR DETAIL**  
 SCALE: 1"=1'-0"



**SUPPORT DETAIL**  
 SCALE: 1/8"=1'-0"

REGIONAL DISTRICT OF FRASER-FORT GEORGE