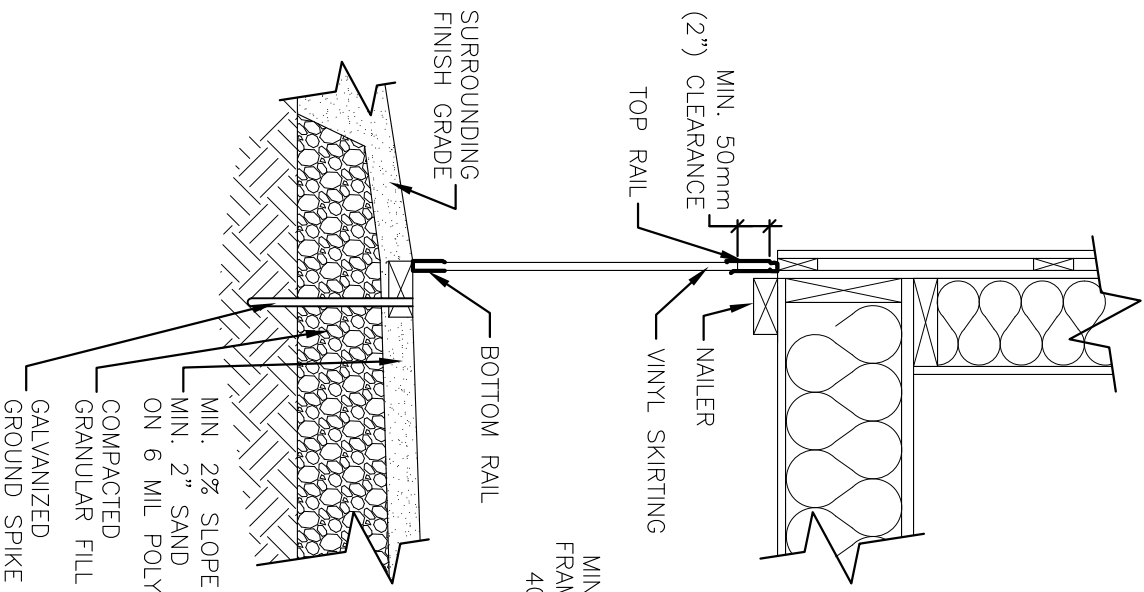
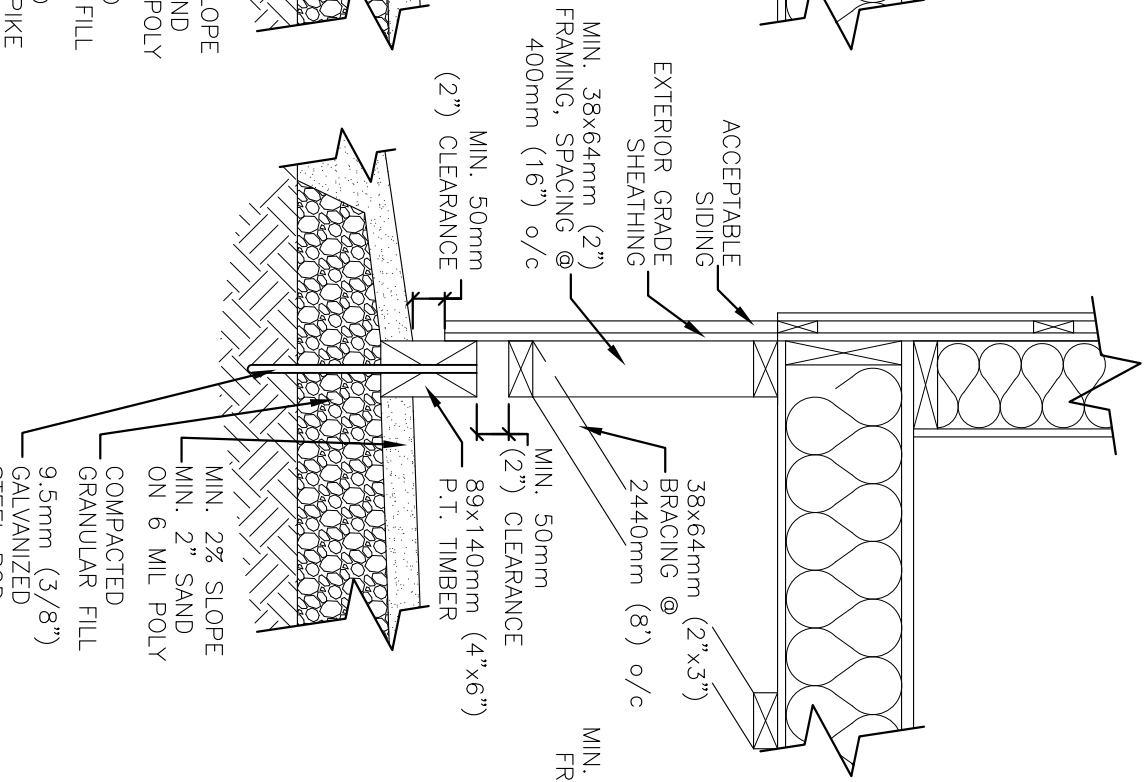




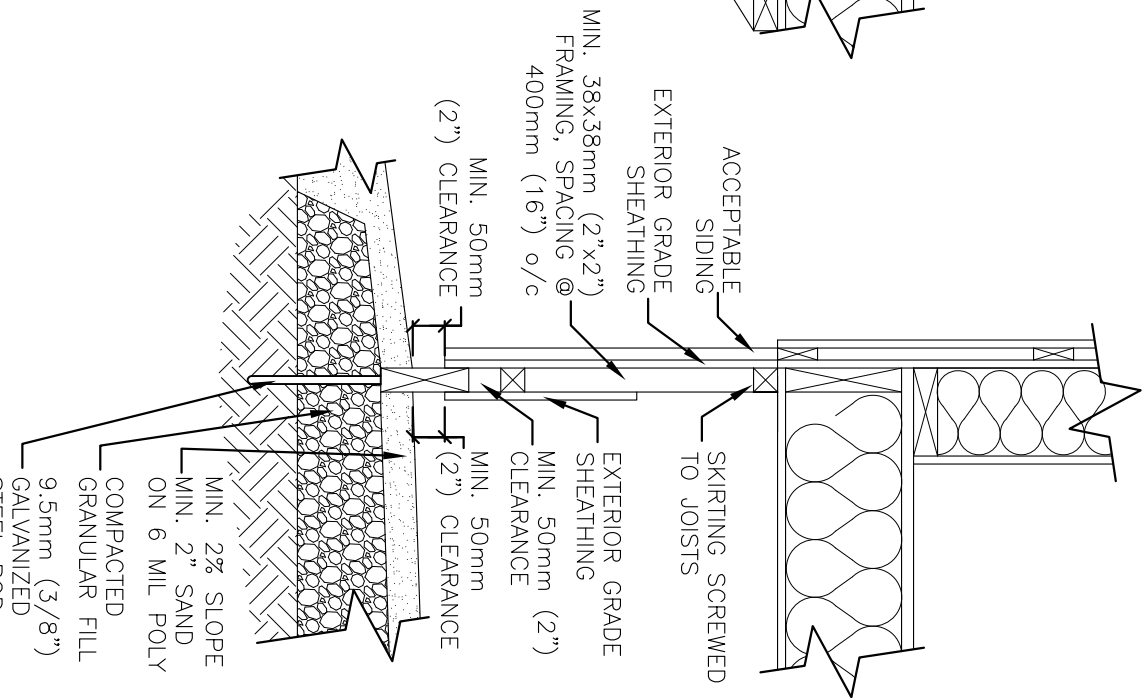
**MOBILE HOME SKIRTING DETAILS**  
**3 OPTIONS SHOWN**



**SKIRTING DETAIL 1**  
SCALE: 1"=1'-0"



**SKIRTING DETAIL 2**  
SCALE: 1"=1'-0"



**SKIRTING DETAIL 3**  
SCALE: 1"=1'-0"

**NOTES:**

- 1) Provisions for movement should be provided in soils susceptible to frost heave.
- 2) All wood material in contact with the ground should be pressure-preservative treated.